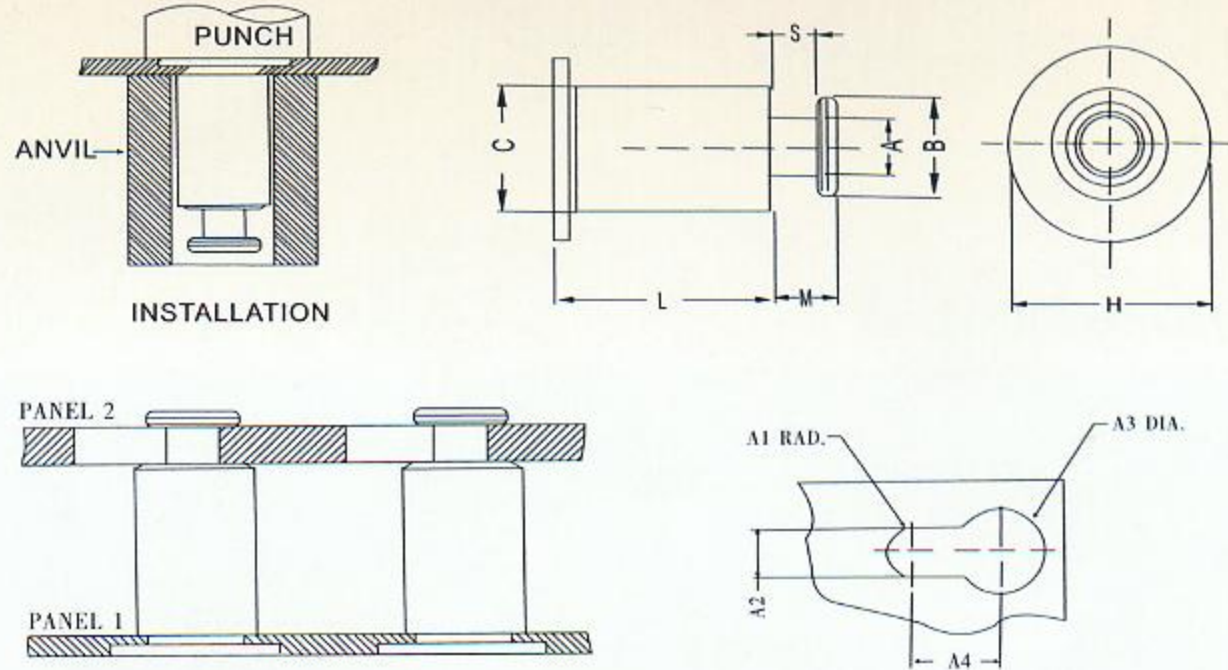




定位支撑柱

JSKC — 6060 — 10
 ↓ ↓ ↓
 型号 TYPE BODY SIZE-SHEET CODE 长度码 LENGTH CODE



尺寸单位:英寸
All dimensions are in inches.

UNIFIED (英制)	型号 Type	Body Size-Sheet Code	长度Length "L" ±.005 Length Code in 32nds of an inch											A	B	C	S	M	H	模具孔 D Anvil Hole +.003 -.000
	不锈钢 Stainless Steel		.188	.250	.312	.375	.437	.500	.562	.625	.750	.875	1.00	±.003	±.003	Max.	±.003	Max.	Nom	
	JSKC	6060	6	8	10	12	14	16	18	20	24	28	32	.099	.177	.212	.068	.108	.250	.216

尺寸单位:MM
All dimensions are in millimeters.

METRIC (公制)	型号 Type	Body Size-Sheet Code	长度码Length Code "L" ±0.13 Length Code in millimeters											A	B	C	S	M	H	模具孔 D Anvil Hole +0.08
	不锈钢 Stainless Steel														±0.08	±0.08	Max.	±0.08	Max.	Nom
	JSKC	61.5	6	8	10	12	14	16	18	20	22	25	2.5	4.5	5.38	1.72	2.75	6.35	5.5	

尺寸单位:英寸
All dimensions are in inches.

UNIFIED (英制)	PANEL1		PANEL2				Material	Thickness Range	
	型号 Type	Bottom Mounting Hole +.003	Thickness Min.	Top Mounting Hole					
				A1 Nom.	A2 ±.003	A3 ±.003	A4 Min.		
UNIFIED	JSKC	.213	.040	.059	.118	.197	.148	PC Board or Metal	.057-.064

尺寸单位:MM
All dimensions are in millimeters.

METRIC (公制)	PANEL1		PANEL2				Material	Thickness Range	
	型号 Type	Bottom Mounting Hole +.008	Thickness Min.	Top Mounting Hole					
				A1 Nom.	A2 ±.003	A3 ±.008	A4 Min.		
METRIC	JSKC	5.4	1	1.5	3	5	3.75	PC Board or Metal	1.45-1.62

用于PC板的紧固件系列