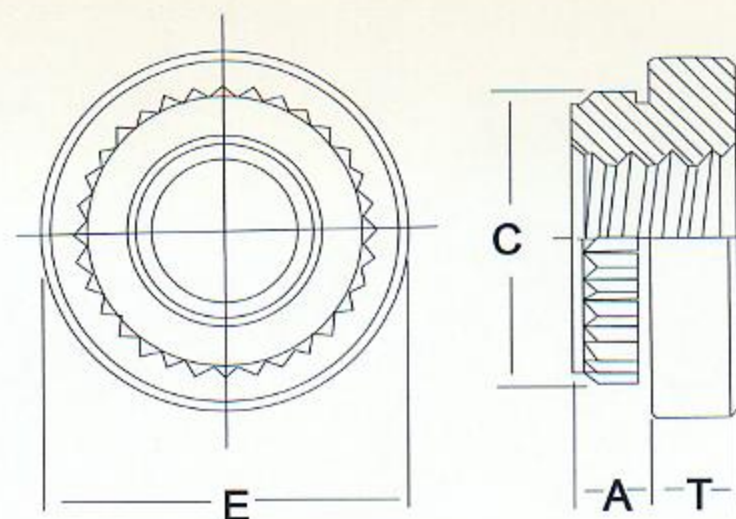
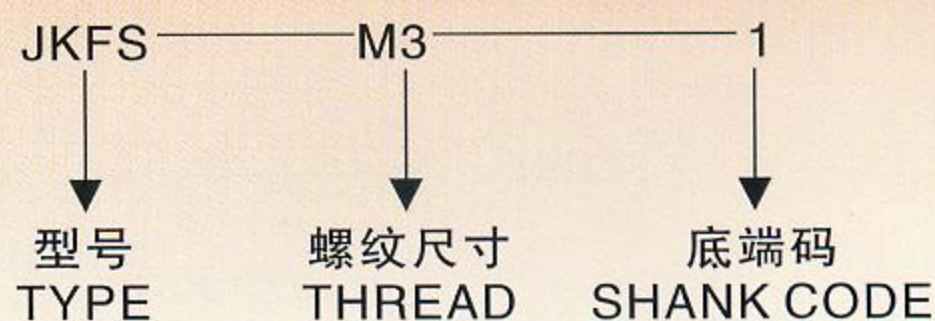




用于PC板的紧固件



尺寸单位:英寸
All dimensions are in inches.

UNIFIED (英制)	螺纹尺寸 Thread Size	型号 Type		螺纹码 Thread Code	A Max.	最小板厚 Min. Sheet Thickness	安装孔 Hole Size In Sheet +.003 -.000	C ±.003	E ±.005	T ±.005	最小边距 Min. Dist Hole C/L To Edge
		碳钢 Carbon Steel	不锈钢 Stainless Steel								
	.086-56 (#2-56)	JKF2	JKFS2	256	.060	.060	.147	.165	.219	.065	0.16
	.112-40 (#4-40)	JKF2	JKFS2	440	.060	.060	.166	.184	.219	.065	0.17
	.138-32 (#6-32)	JKF2	JKFS2	632	.060	.060	.213	.231	.281	.065	0.22
	.164-32 (#8-32)	JKF2	JKFS2	832	.060	.060	.250	.268	.344	.096	0.25
	.190-32 (#10-32)	JKF2	JKFS2	032	.060	.060	.272	.290	.375	.127	0.28

尺寸单位:MM
All dimensions are in millimeters.

METRIC (公制)	螺纹尺寸 X螺距 Thread Size x Pitch	型号 Type		螺纹码 Thread Code	A Max.	最小板厚 Min. Sheet Thickness	安装孔 Hole Size In Sheet +0.08	C ±0.08	E ±0.13	T ±0.13	最小边距 Min. Dist Hole C/L To Edge
		碳钢 Carbon Steel	不锈钢 Stainless Steel								
	M2X0.4	JKF2	JKFS2	M2	1.53	1.53	3.73	4.19	5.56	1.5	4.2
	M2.5X0.45	JKF2	JKFS2	M2.5	1.53	1.53	4.22	4.68	5.56	1.5	4.4
	M3X0.5	JKF2	JKFS2	M3	1.53	1.53	4.22	4.68	5.56	1.5	4.4
	M4X0.7	JKF2	JKFS2	M4	1.53	1.53	6.4	6.86	8.74	2	6.4
	M5X0.8	JKF2	JKFS2	M5	1.53	1.53	6.9	7.37	9.53	3	7.1